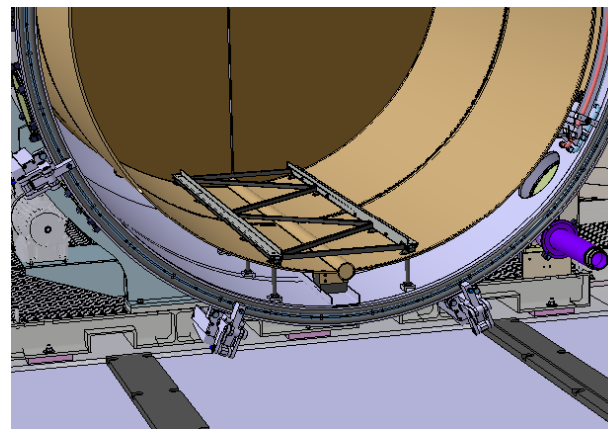
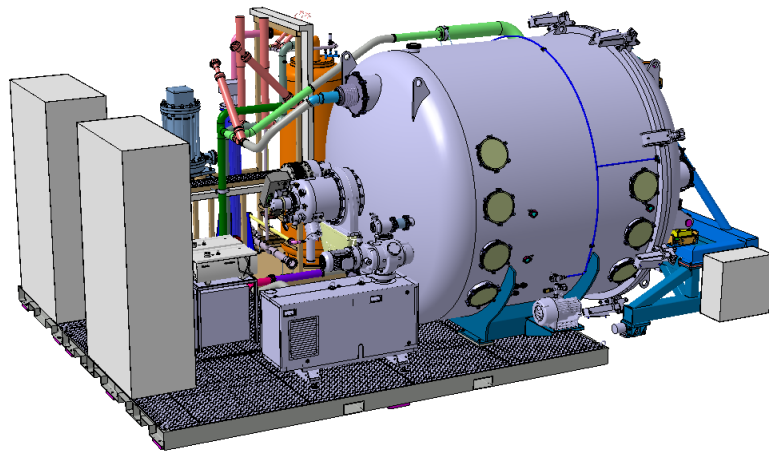


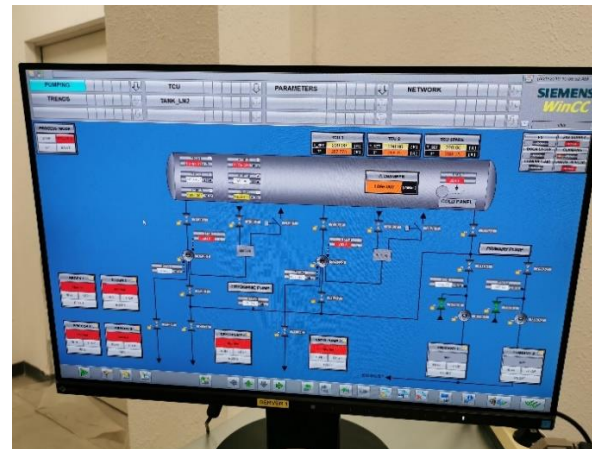
Design Drawings



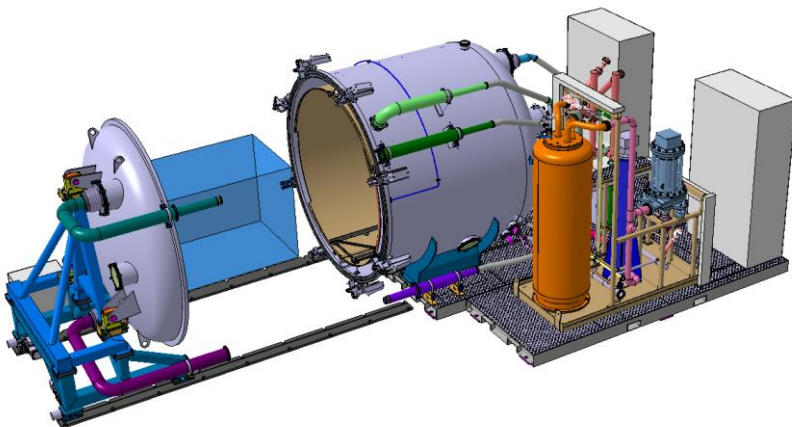
Internal rails for specimen installation (thermal plate in option)



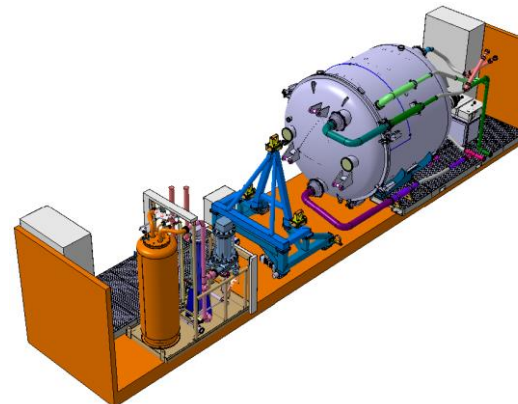
TVAC general assembly, door closed



CCS & HMI to drive the facility



TVAC general assembly, door opened



Easily transportable on a flat rack container

Vacuum vessel with clear working space of 2.25m diameter and 2m length

Prime contractor :

Airbus Defense & Space, Toulouse, France

Work Description :

Design, Manufacturing, assembly in workshop, transport, on site installation and acceptance testing, including Orbyt CCS & HMI

Performances :

Vacuum :  $<1 \cdot 10^{-6}$  mbar in less than 4h

Thermal : System with 1 line (spare option or more lines possible), Temperature range from 100K to 400K with a 3,2 kW thermal load

Satellite I/F : Horizontal axis, with a SWL of 500 kg, in the front cover

Place of installation: Al Ain, United Arab Emirates



**VBTECH**<sup>SA</sup>  
VACUUM & BUILDING TECHNOLOGIES

**Orbyt**<sup>®</sup>

Smart Control Software by [www.vb-tech.eu](http://www.vb-tech.eu)

[www.vb-tech.eu](http://www.vb-tech.eu)